

**PRODUCT CODE: CL6G**  
CONLOK® MALLEABLE CONDUIT BOX

**DESCRIPTION**

20mm Malleable Conlok® Branch U Conduit Box

**FINISH**

Hot Dipped Galvanised

**MATERIAL**

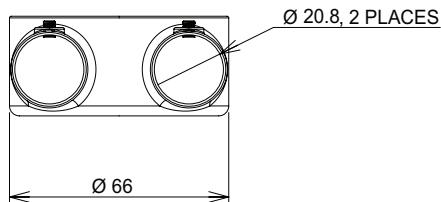
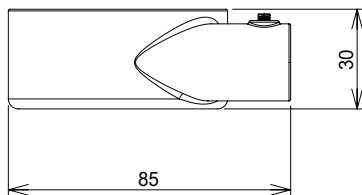
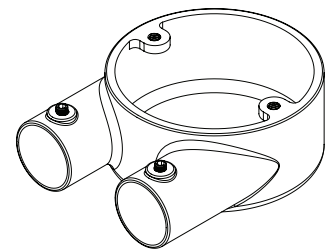
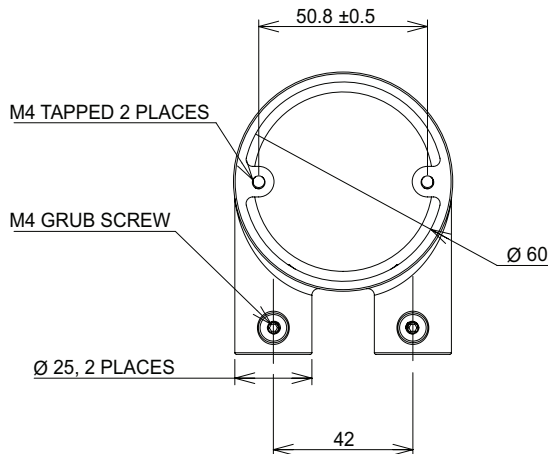
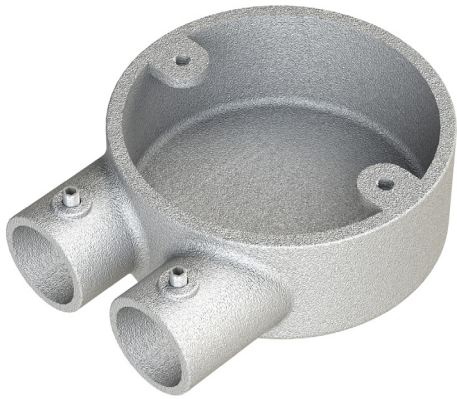
Malleable Iron

**PACKAGING**

Packed in qty 10

**ADDITIONAL NOTES**

Conforms to BS EN61386-21:2004  
Supplied with 12.9 Grade Grub Screw  
1 x Allen key is supplied in each inner box



⊕ Values are nominal and with a general tolerance ±5% unless otherwise specified